

# PACIFIC FRUIT EXPRESS REEFERS FOR 1/12 SCALE

## APPENDIX A

This appendix contains the following drawings:

PFE47\_DRILLTEMP\_A  
PFE47\_DRILLTEMP\_B  
PFE47\_DRILLTEMP\_C  
PFE47\_DRILLTEMP\_D  
PFE47\_DRILLTEMP\_E  
PFE47\_DRILLTEMP\_F  
PFE47\_DRILLTEMP\_G

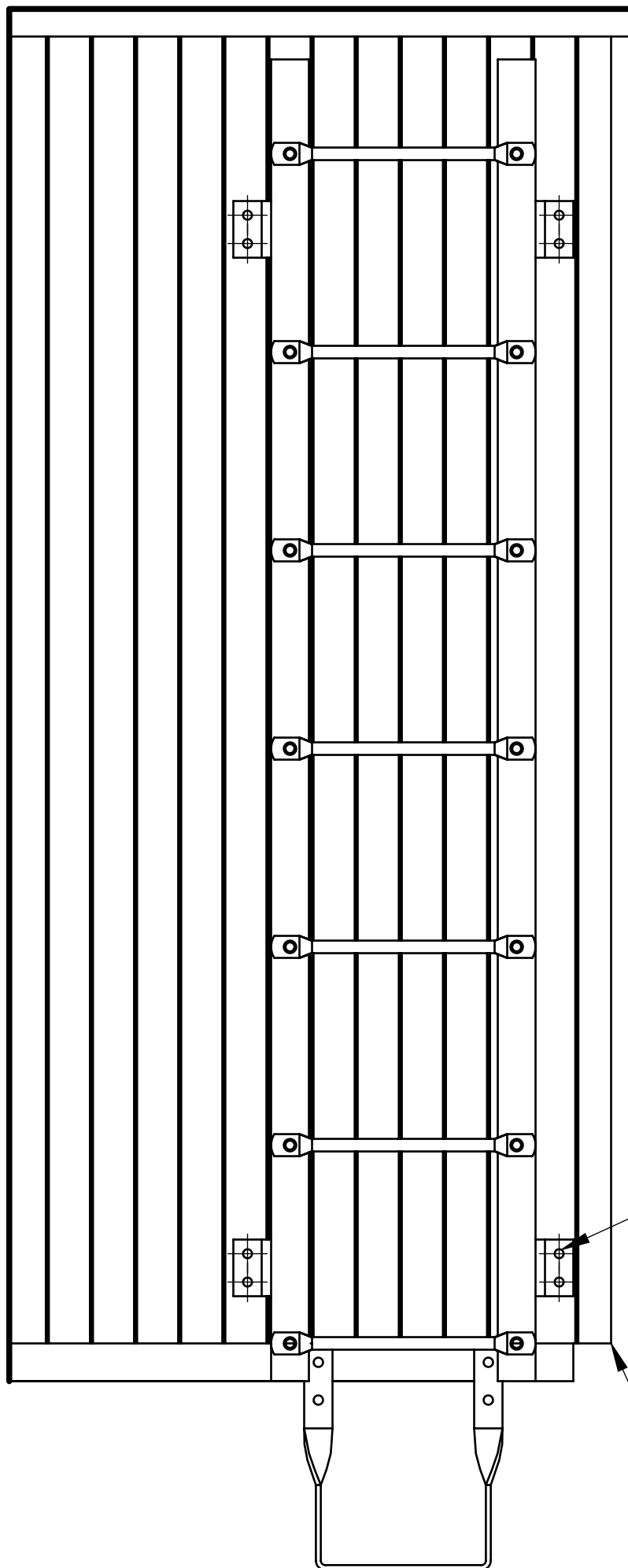
The following drawings should be printed on 11" x 17" paper

**THE INFORMATION CONTAINED IN THIS APPENDIX IS THE SOLE PROPERTY OF PACIFIC DESIGN SHOPS.  
ANY REPRODUCTION IN PART OR AS A WHOLE WITHOUT THE WRITTEN PERMISSION OF PACIFIC DESIGN SHOPS IS PROHIBITED.**

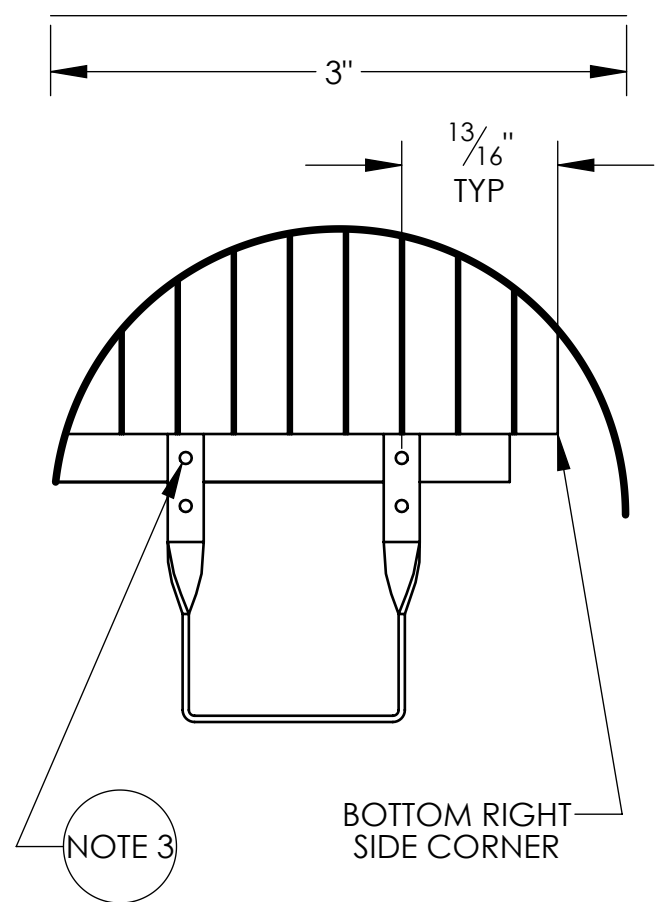
**SIDE VIEW OF CAR**

NOTES:

1. Views are cropped. Parts hidden for better clarity.
2. Use this drill guide for both sides of car.
3. Attach Stirrup to car with the following hardware:  
McMaster Carr P/N: 91654A036  
Size 00 x 3/8" Screw Nails, QTY: 2 (use top holes only)  
Use a 1/16" drill bit for a pilot hole



If printed at the correct scale, the line below should be 3" long



Locate and drill holes at all target marks

BOTTOM RIGHT SIDE CORNER

NOTES: UNLESS OTHERWISE SPECIFIED

THE INFORMATION CONTAINED IN THIS DRAWING IS THE SOLE PROPERTY OF PACIFIC DESIGN SHOPS. ANY REPRODUCTION IN PART OR AS A WHOLE WITHOUT THE WRITTEN PERMISSION OF PACIFIC DESIGN SHOPS IS PROHIBITED.			<b>DRILL TEMPLATE: LADDER SIDES</b>		
SIZE	DRAWING NO.	REV			
B	PFE47_DRILLTEMP_A	A			
SCALE: 1:1	DO NOT SCALE PRINT	SHEET 1 OF 1			

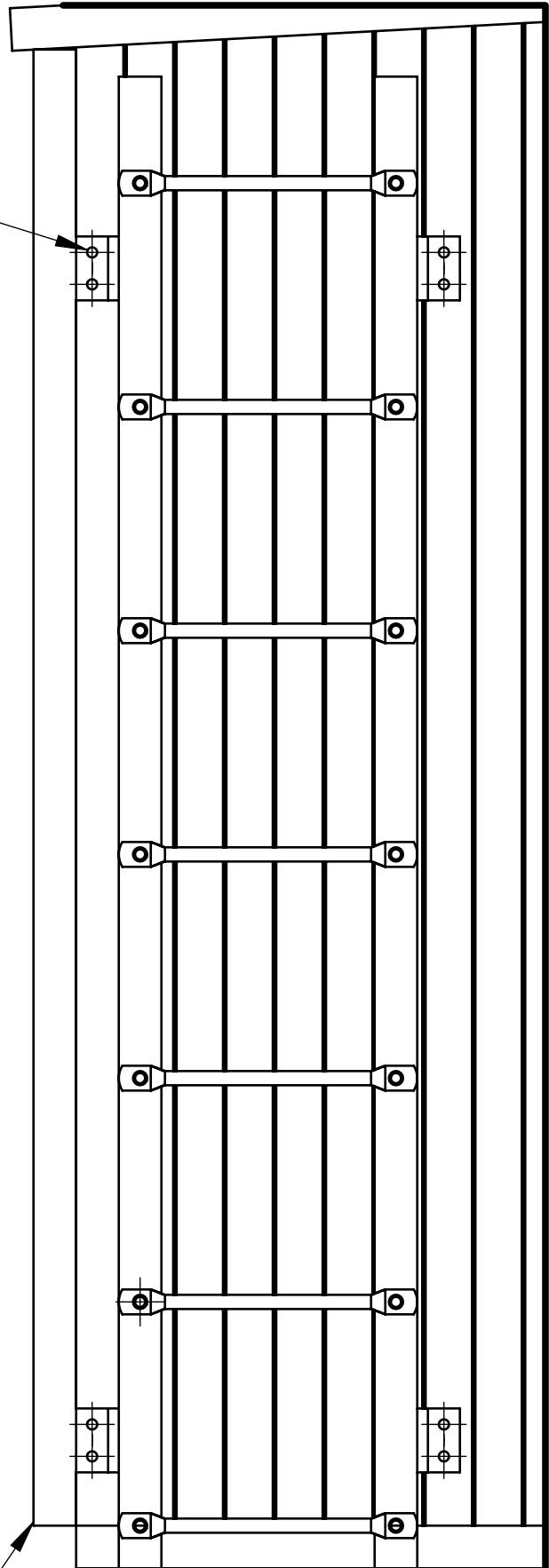
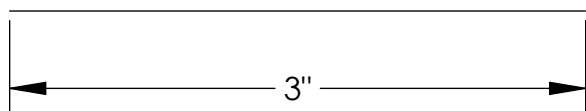
**END VIEW OF CAR**

NOTES:

1. View is cropped. Parts hidden for better clarity.
2. Use this drill guide for both ends of car.

Locate and drill holes at all target marks

If printed at the correct scale, the line below should be 3" long



BOTTOM LEFT  
END CORNER

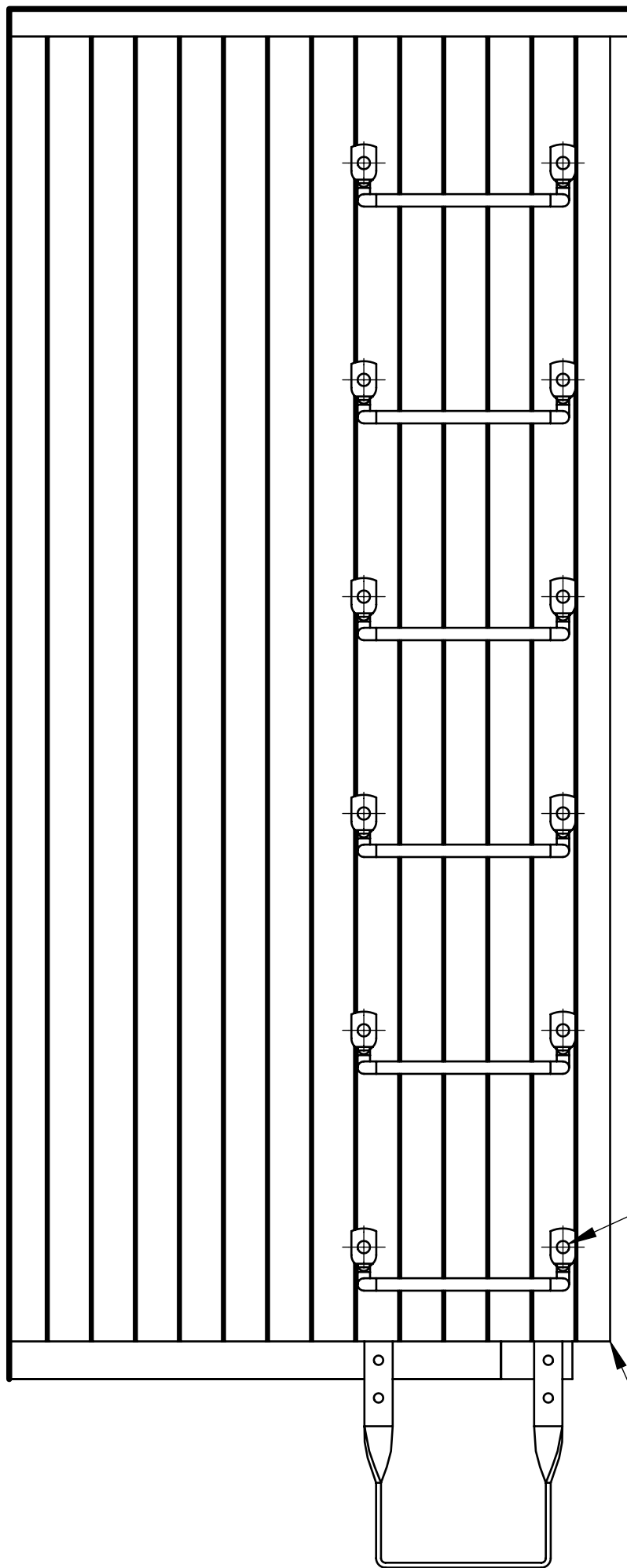
NOTES: UNLESS OTHERWISE SPECIFIED

THE INFORMATION CONTAINED IN THIS DRAWING IS THE SOLE PROPERTY OF PACIFIC DESIGN SHOPS. ANY REPRODUCTION IN PART OR AS A WHOLE WITHOUT THE WRITTEN PERMISSION OF PACIFIC DESIGN SHOPS IS PROHIBITED.			<b>DRILL TEMPLATE: LADDER ENDS</b>	
SIZE	DRAWING NO.	REV		
<b>B</b>	<b>PFE47_DRILLTEMP_B</b>	<b>A</b>		
SCALE: <b>1:1</b>	DO NOT SCALE PRINT	SHEET <b>1</b> OF <b>1</b>		

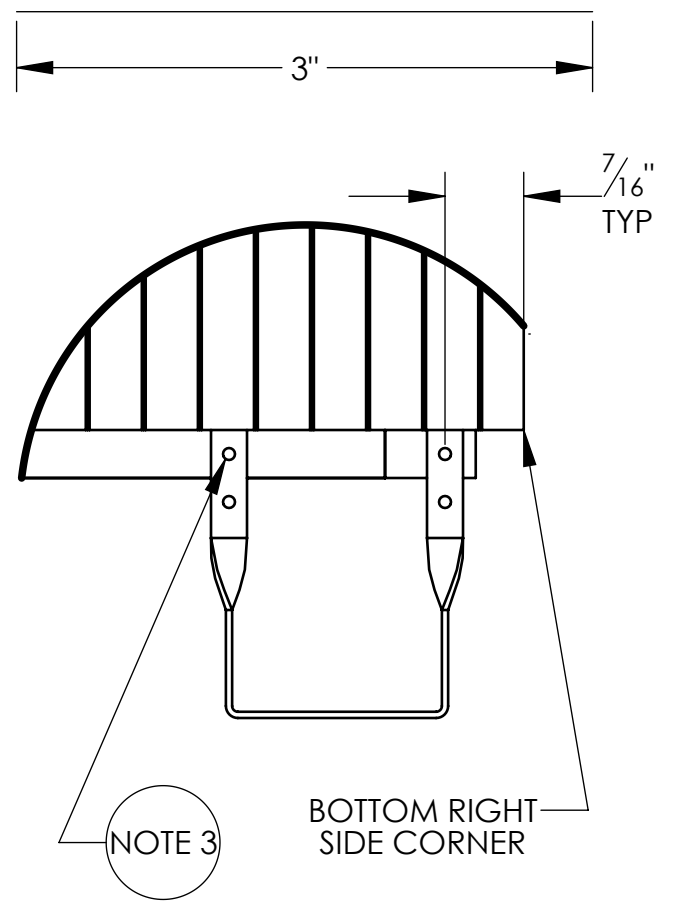
**SIDE VIEW OF CAR**

NOTES:

1. Views are cropped. Parts hidden for better clarity.
2. Use this drill guide for both sides of car.
3. Attach Stirrup to car with the following hardware:  
McMaster Carr P/N: 91654A036  
Size 00 x 3/8" Screw Nails, QTY: 2 (use top holes only)  
Use a 1/16" drill bit for a pilot hole



If printed at the correct scale, the line below should be 3" long



Locate and drill holes at all target marks  
(Adjust left/right spacing based on actual grabiron size)

BOTTOM RIGHT  
SIDE CORNER

NOTES: UNLESS OTHERWISE SPECIFIED

THE INFORMATION CONTAINED IN THIS DRAWING IS THE SOLE PROPERTY OF PACIFIC DESIGN SHOPS. ANY REPRODUCTION IN PART OR AS A WHOLE WITHOUT THE WRITTEN PERMISSION OF PACIFIC DESIGN SHOPS IS PROHIBITED.			<b>DRILL TEMPLATE: GRABIRONS SIDES</b>	
SIZE	DRAWING NO.	REV		
B	<b>PFE47_DRILLTEMP_C</b>	<b>A</b>		
SCALE: 1:1	DO NOT SCALE PRINT	SHEET 1 OF 1		

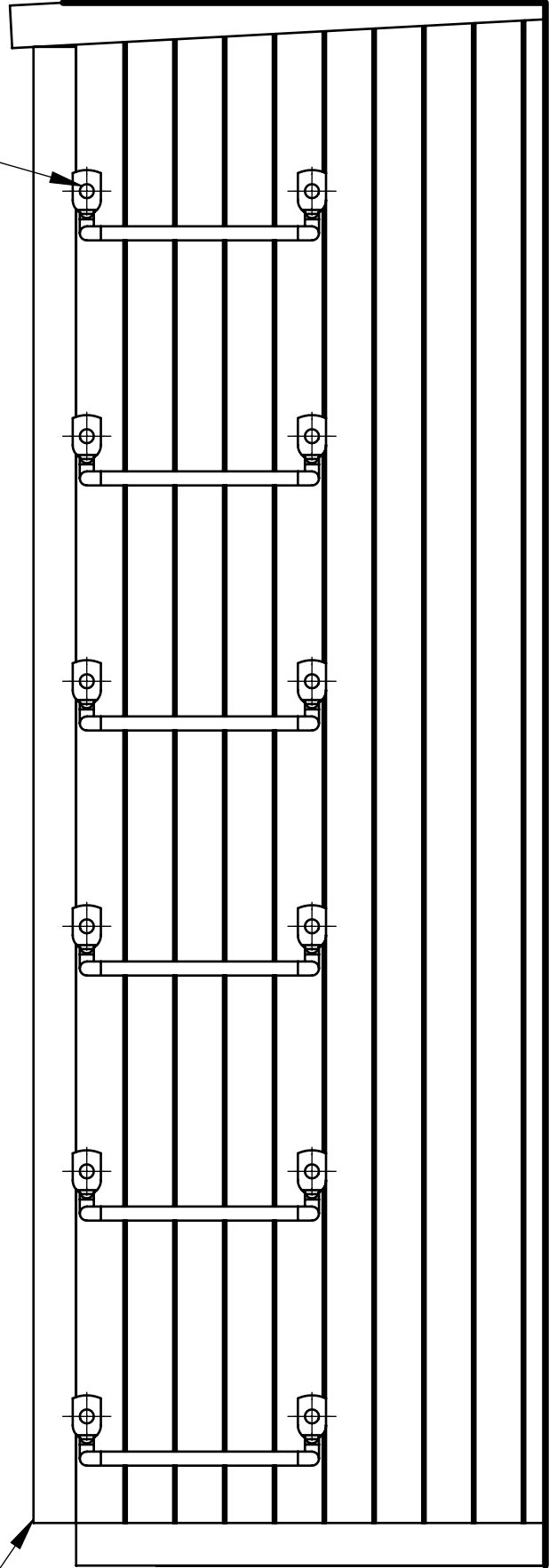
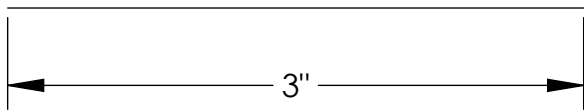
**END VIEW OF CAR**

NOTES:

1. View is cropped. Parts hidden for better clarity.
2. Use this drill guide for both ends of car.

Locate and drill holes at all target marks  
(Adjust left/right spacing based on actual grabiron size)

If printed at the correct scale, the line below should be 3" long



BOTTOM LEFT  
END CORNER

NOTES: UNLESS OTHERWISE SPECIFIED

<small>THE INFORMATION CONTAINED IN THIS DRAWING IS THE SOLE PROPERTY OF PACIFIC DESIGN SHOPS. ANY REPRODUCTION IN PART OR AS A WHOLE WITHOUT THE WRITTEN PERMISSION OF PACIFIC DESIGN SHOPS IS PROHIBITED.</small>		<b>DRILL TEMPLATE: GRABIRONS ENDS</b>	
		SIZE <b>B</b>	DRAWING NO. <b>PFE47_DRILLTEMP_D</b>
SCALE: <b>1:1</b>		DO NOT SCALE PRINT	
		SHEET <b>1</b> OF <b>1</b>	

**SIDE VIEW OF CAR**

NOTES:

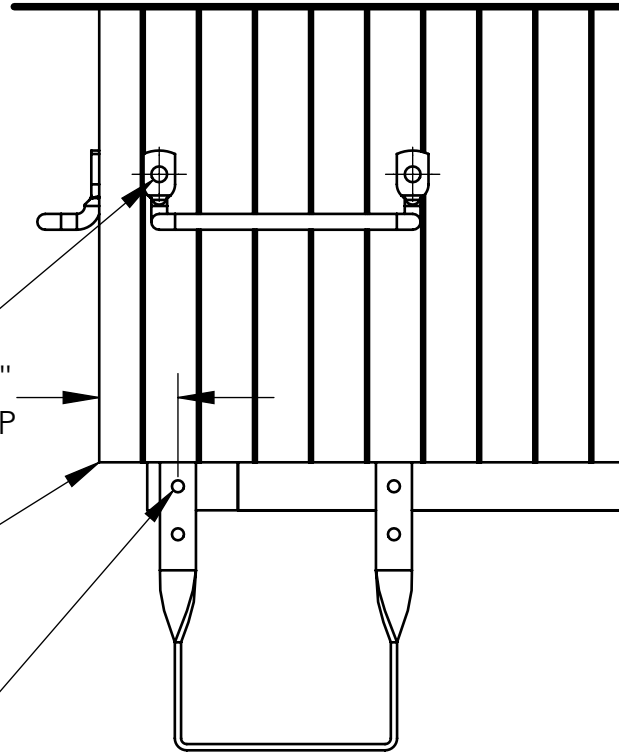
1. View is cropped. Parts hidden for better clarity.
2. Use this drill guide for both sides of car.
3. Attach Stirrup to car with the following hardware:  
McMaster Carr P/N: 91654A036  
Size 00 x 3/8" Screw Nails, QTY: 2 (use top holes only)  
Use a 1/16" drill bit for a pilot hole

Locate and drill holes at all target marks  
(Adjust left/right spacing based on actual grabiron size)

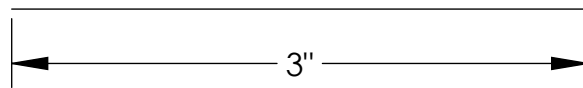
BOTTOM LEFT  
SIDE CORNER

NOTE 3

3/8"  
TYP



If printed at the correct scale, the line below should be 3" long



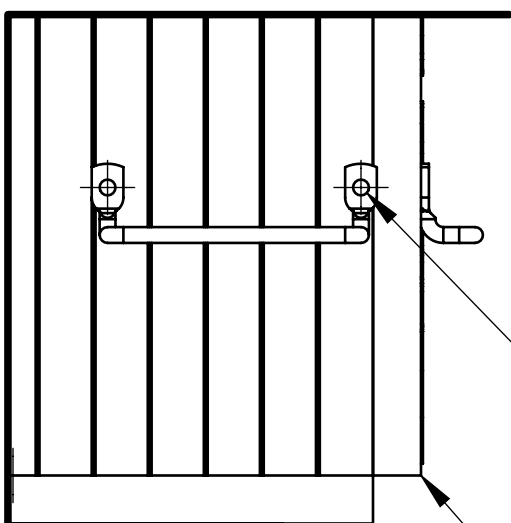
**END VIEW OF CAR**

NOTES:

1. View is cropped. Parts hidden for better clarity.
2. Use this drill guide for both ends of car.

Locate and drill holes at all target marks  
(Adjust left/right spacing based on actual grabiron size)

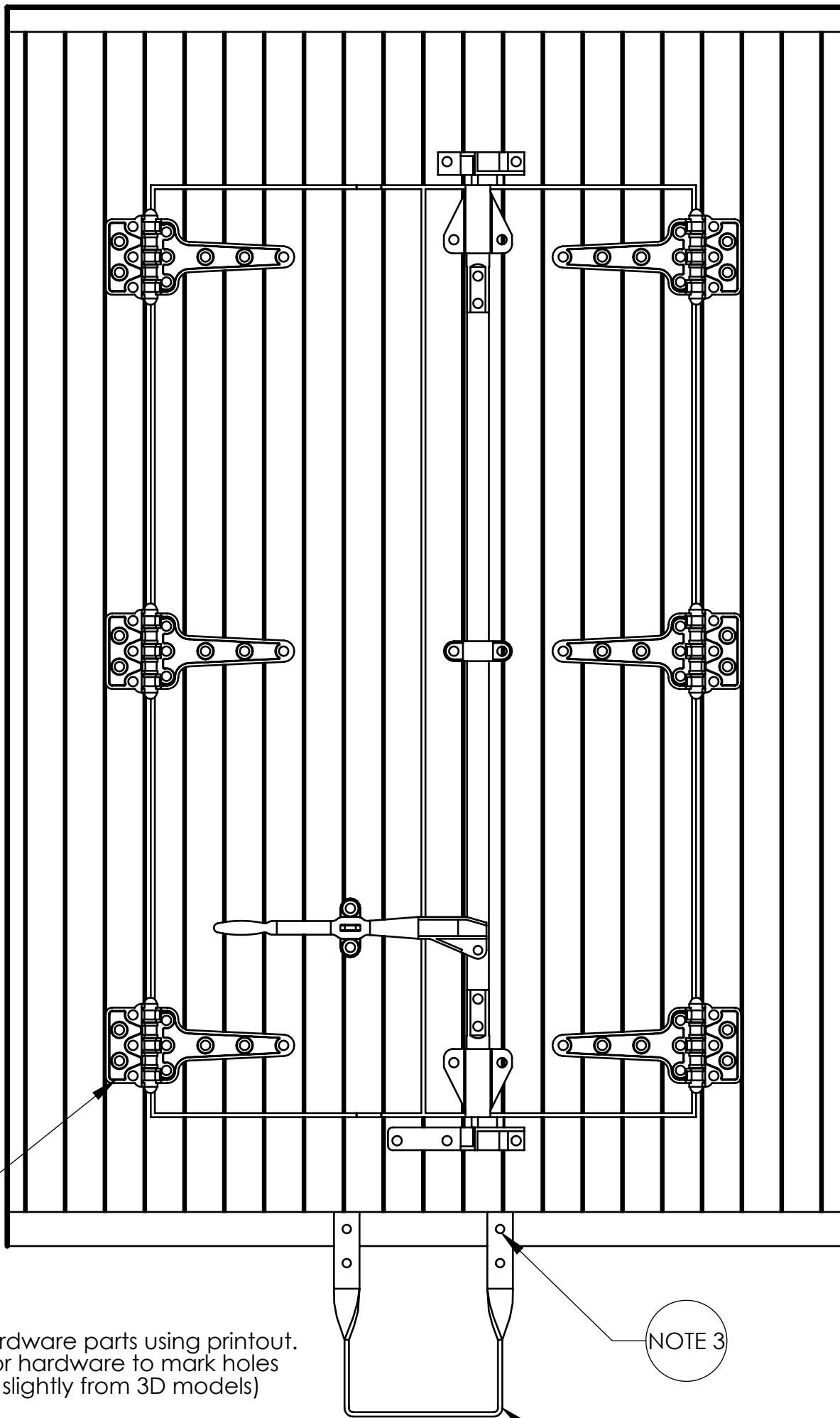
BOTTOM RIGHT  
END CORNER



NOTES: UNLESS OTHERWISE SPECIFIED

THE INFORMATION CONTAINED IN THIS DRAWING IS THE SOLE PROPERTY OF PACIFIC DESIGN SHOPS. ANY REPRODUCTION IN PART OR AS A WHOLE WITHOUT THE WRITTEN PERMISSION OF PACIFIC DESIGN SHOPS IS PROHIBITED.		<b>DRILL TEMPLATE: EXTRA GRABIRONS</b>	
SIZE <b>B</b>	DRAWING NO. <b>PFE47_DRILLTEMP_E</b>	REV <b>A</b>	
SCALE: <b>1:1</b>	DO NOT SCALE PRINT	SHEET <b>1</b> OF <b>1</b>	

PACIFIC DESIGN SHOPS

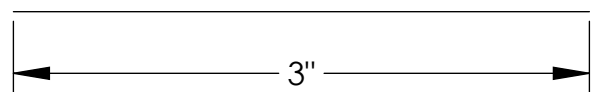


Locate door hardware parts using printout.  
Use holes in door hardware to mark holes  
(Parts may vary slightly from 3D models)

NOTE 3

Center stirrup on car

If printed at the correct scale, the line below should be 3" long



NOTES:

1. View is cropped.
2. Use this drill guide for both sides of car.
3. Attach Stirrup to car with the following hardware:  
McMaster Carr P/N: 91654A036  
Size 00 x 3/8" Screw Nails, QTY: 2 (use top holes only)  
Use a 1/16" drill bit for a pilot hole

NOTES: UNLESS OTHERWISE SPECIFIED

THE INFORMATION CONTAINED IN THIS DRAWING IS THE SOLE PROPERTY OF PACIFIC DESIGN SHOPS. ANY REPRODUCTION IN PART OR AS A WHOLE WITHOUT THE WRITTEN PERMISSION OF PACIFIC DESIGN SHOPS IS PROHIBITED.

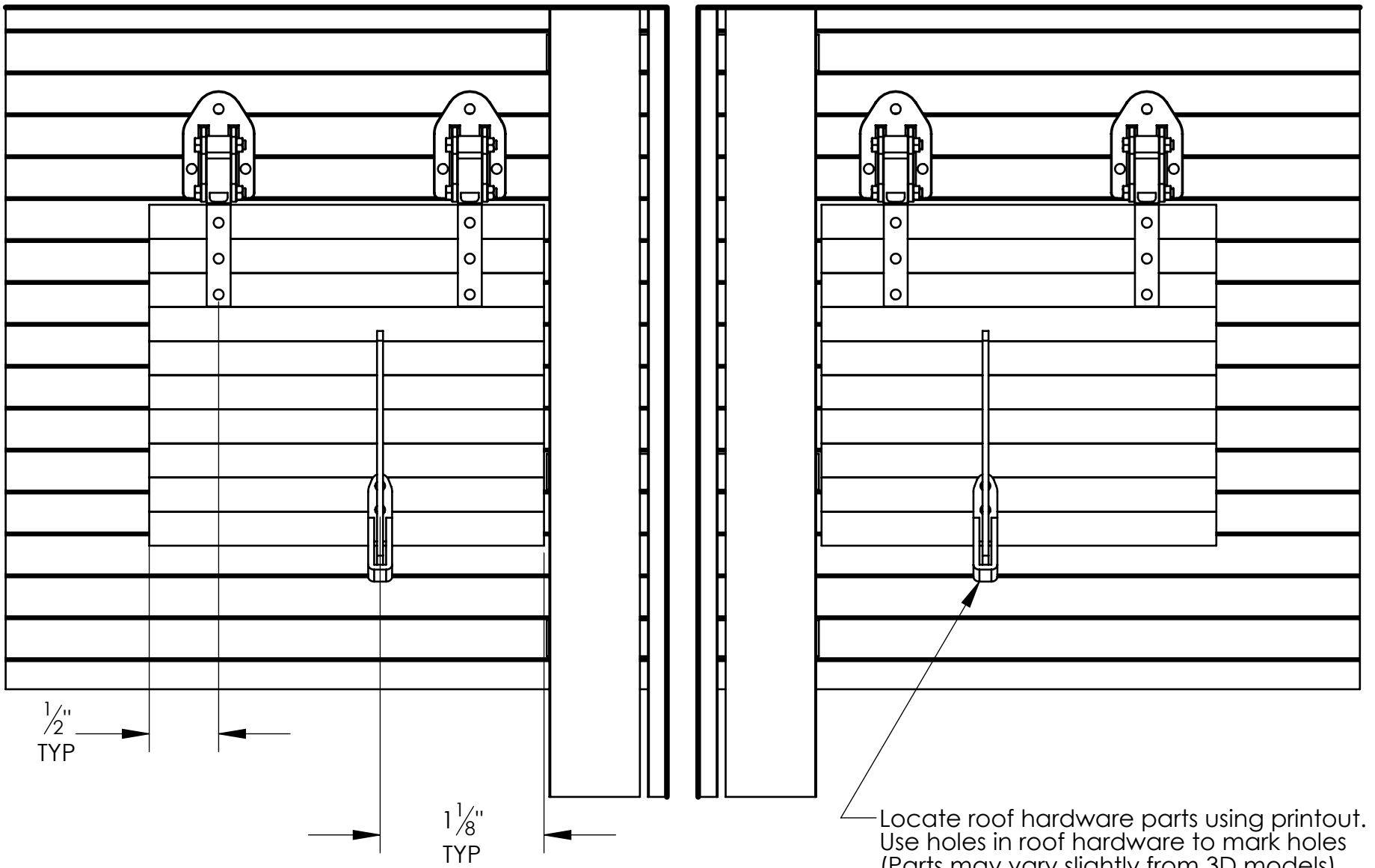
**DRILL TEMPLATE: DOOR HARDWARE**

SIZE <b>B</b>	DRAWING NO. <b>PFE47_DRILLTEMP_F</b>	REV <b>A</b>
SCALE: <b>1:1</b>	DO NOT SCALE PRINT	SHEET <b>1</b> OF <b>1</b>

TOP VIEW OF CAR  
WOOD ROOF VERSION

LEFT SIDE

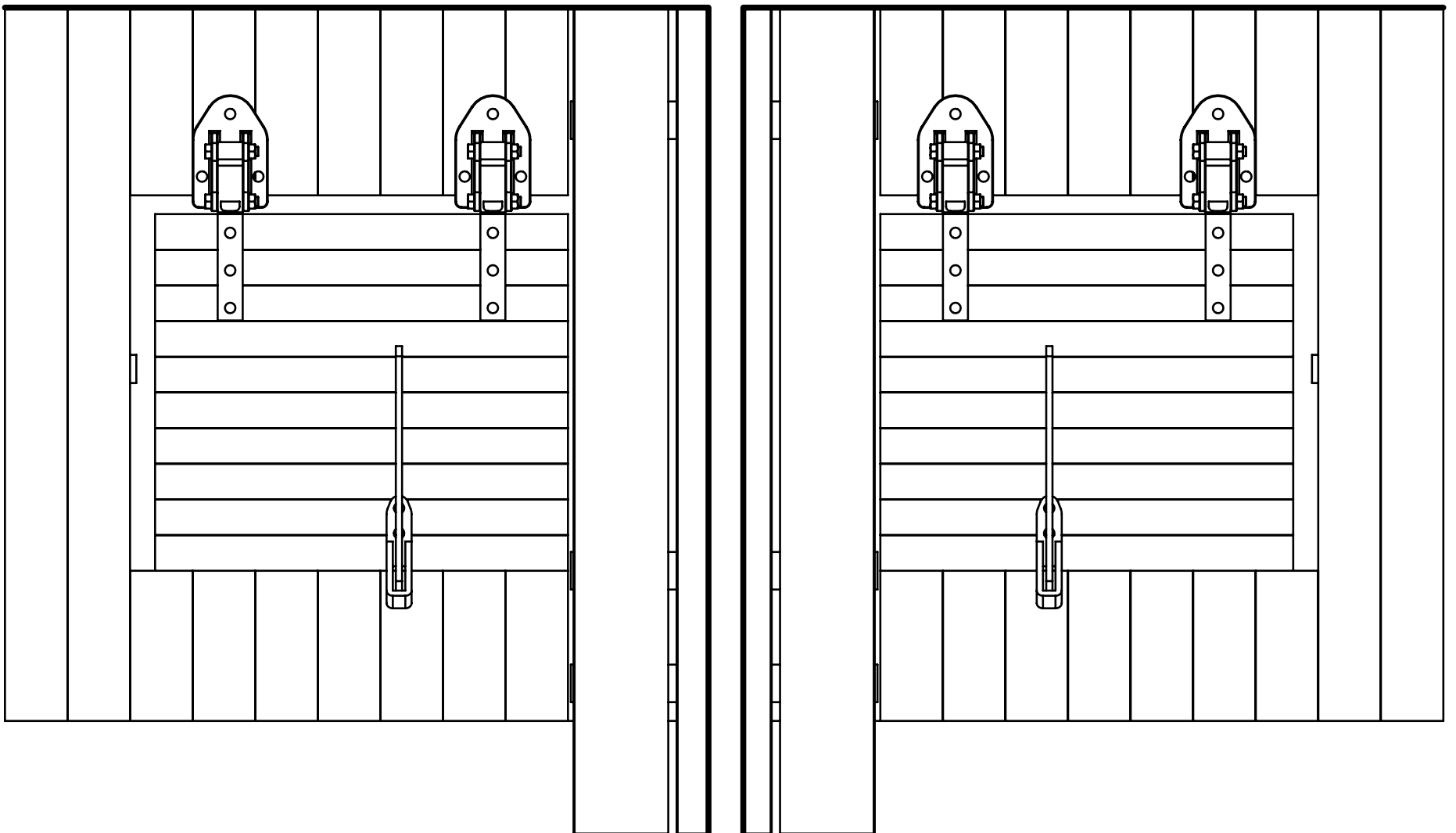
RIGHT SIDE



TOP VIEW OF CAR  
STEEL ROOF VERSION

LEFT SIDE

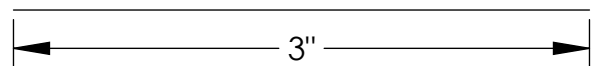
RIGHT SIDE



NOTES:

1. Views are cropped and perpendicular to roof of car.
2. Use this drill guide for both sides of car.
3. Dimensions are relative to hatch cover.

If printed at the correct scale, the line below should be 3" long



NOTES: UNLESS OTHERWISE SPECIFIED

THE INFORMATION CONTAINED IN THIS DRAWING IS THE SOLE PROPERTY OF PACIFIC DESIGN SHOPS. ANY REPRODUCTION IN PART OR AS A WHOLE WITHOUT THE WRITTEN PERMISSION OF PACIFIC DESIGN SHOPS IS PROHIBITED.

**DRILL TEMPLATE: ROOF HARDWARE**

SIZE <b>B</b>	DRAWING NO. <b>PFE47_DRILLTEMP_G</b>	REV <b>A</b>
SCALE: <b>1:1</b>	DO NOT SCALE PRINT	SHEET <b>1</b> OF <b>1</b>